

nova range

classical machines for the advanced joinery



All “Made in SCM Italy”

From casting iron to finished product.

Come see our production plants and touch the quality of SCM machines;
you will be our guest.



Classical machines for the advanced joinery.

SCM's objective is to guarantee customers high quality technologies which meet their requirements in such a way as to make SCM the partner for any needs.

nova range

Guaranteed quality at your fingertips.

circular saws	programmable	nova si 400ep page 6	nova si x page 18				
	manual	nova si 400 page 7	nova si 300 page 8	nova si 300s page 9	nova si 40 page 19	nova si 30 page 19	
planers	surface planers	nova f 520 page 28	nova f 410 page 28				
	thickening planers	nova s 630 page 29	nova s 520 page 29				
	surfacing-thickening planers	nova fs 520 page 30	nova fs 410 page 31				
spindle moulders	manual	nova tf 110 page 38	nova tf 100 page 38	nova ti 105 page 39			

The motors powers in this catalogue are expressed in S6, except where otherwise specified.

In this catalogue, machines are shown in CE configuration and with options.

We reserve the right to modify technical specifications without prior notice, provided that such modifications do not affect safety as per CE norms.



APP Thundercut

Technology at your fingertips

SCM Thundercut is the Optimizer/Sequencer App for mobile devices that allows to optimize the panel surface and guides the operator through the cutting sequence.

High cut speed execution, less material waste and mistake odds minimized, even for not skilled workers!

Download it now from the AppStore and Google Play:

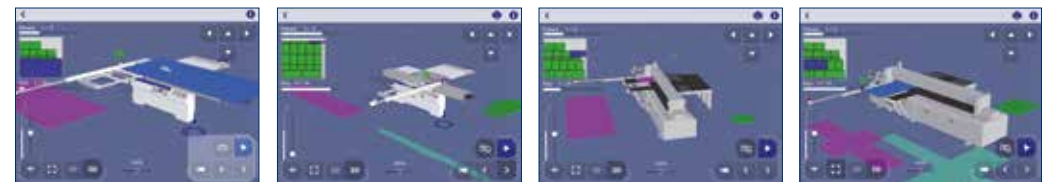
SCM Thundercut



You can manage your circular saws fleet, the material warehouse and many project you are working on.



The 3D sequencer, thanks to its simple and clear design, suggest the ideal settings of the machine for every single cut to be executed.



The App is available for circular saws, circular saws with movable blade unit, saw-shaper combination machines and universal combination machines (you will find the QR code to activate the App in each new machine).



SCM CLASSICAL MACHINES, QUALITY EVEN MORE GUARANTEED

Since 1952, SCM has been leader in the design and production of woodworking machines.

We are getting closer to reach 70 years of company history by offering to our customers knowledge and advanced technologies that distinguish **L'invincibile, class** and **nova** classical machines. Different ranges united by the strength points: performance, ease-of-use and certified quality. We believe so much in the reliability of our machines to offer to our customers the possibility to have a **warranty extended up to 2 years***. An extra peace of mind for small artisans workshops and joineries who see SCM as the ideal partner to grow their business.

To activate the 2-year warranty extension, it is compulsory to register on-line the machine on the website:

scmwood.com/warranty-extension

*Check the models of machines that can take advantage of the initiative on the website:

scmwood.com/joinery-machines





programmable circular saw nova si 400ep

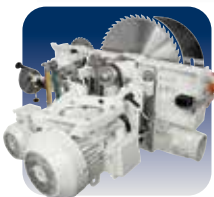


		nova si 400ep	nova si 400
Max. saw blade diameter with installed scoring unit	mm	400	400
Max. saw blade projection from the table at 90°/45°	mm	140/97	140/97
Saw blade rotating speed	rpm	3000/4000/5000	3700
Squaring stroke	mm	3200 ÷ 3800	3200 ÷ 3800
Cutting width on rip fence	mm	1000 ÷ 1500	1000 ÷ 1500
Three-phase motors power starting from	kW/Hz	7 (8) / 50 (60)	7 (8) / 50 (60)

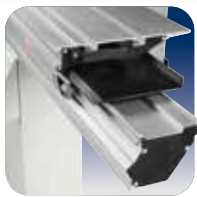
Find the complete technical specification at page 16



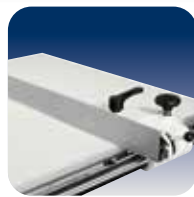
manual circular saw nova si 400



Saw Unit
sturdy structure



Sliding Carriage
high cutting quality



Rip Fence
rapidity and
accuracy



SCM
Thundercut
Optimizer/
Sequencer App

High construction quality for reliability
and safe performance.



manual circular saw nova si 300



		nova si 300	nova si 300s
Max. saw blade diameter with installed scoring unit	mm	315	315 ÷ 400
Max. saw blade projection from the table at 90°/45°	mm	100/70	100/70 (with 315 mm blade) 140/97 (with 400 mm blade)
Saw blade rotating speed	rpm	4000	4000 (with 315 mm blade) 3700 (with 400 mm blade)
Squaring stroke	mm	3200 ÷ 3800	1600
Cutting width on rip fence	mm	1000 ÷ 1500	1000 ÷ 1500
Three-phase motors power starting from	kW/Hz	5 (6) / 50 (60)	5 (6) / 50 (60) (with 315 mm blade) 7 (8) / 50 (60) (with 400 mm blade)

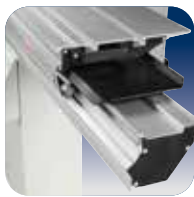
Find the complete technical specification at page 16



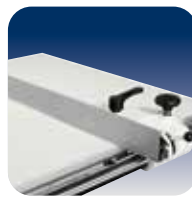
manual circular saw nova si 300s



Saw Unit
sturdy structure



Sliding Carriage
high cutting quality



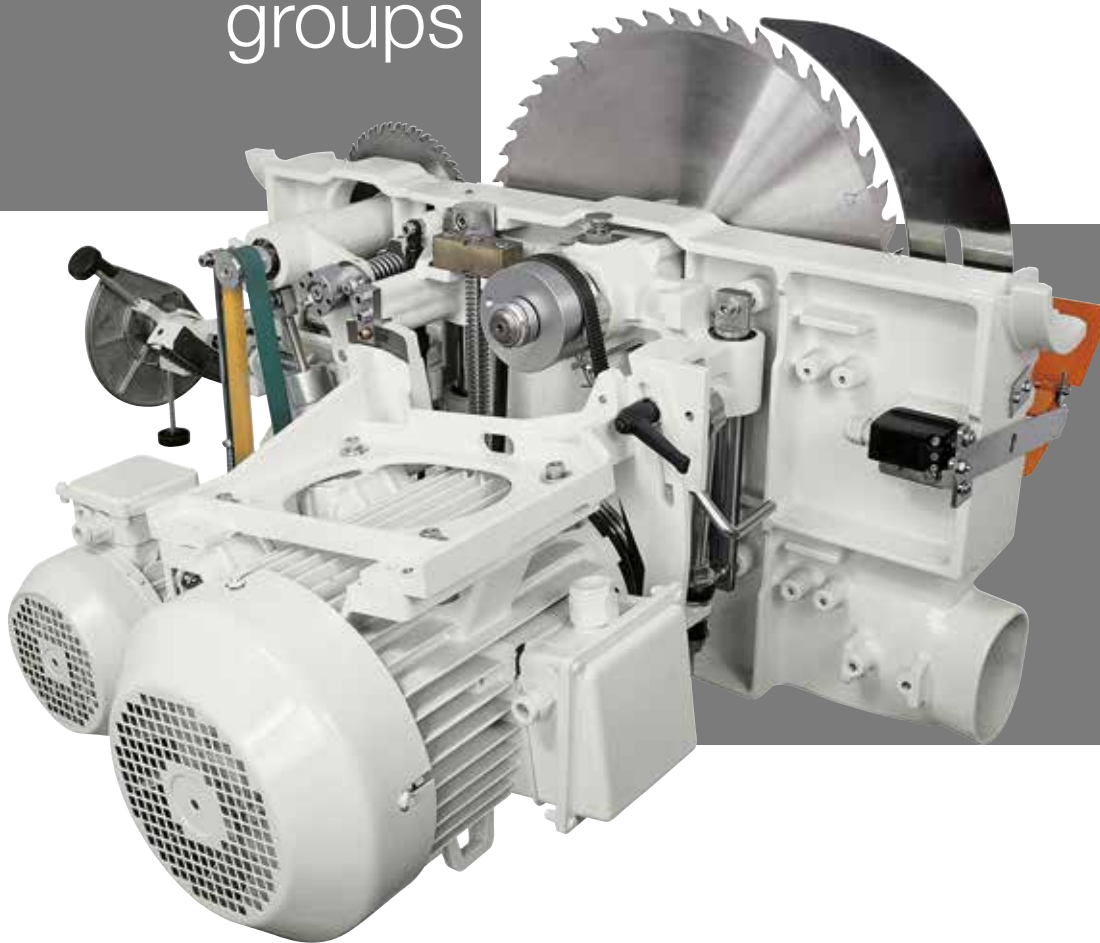
Rip Fence
rapidity and
accuracy



**SCM
Thundercut
Optimizer/
Sequencer App**

Essential configuration with complete
equipment to carry out professional machining.

circular saws operating groups



sturdy structure

Saw Unit

The saw blade lifting is carried out by a strong cast-iron structure with sliding on ground round slideways which guarantee the **best accuracy**.

The unit tilting is carried out on cast-iron rotation sectors in a crescent shape to ensure reliability over time.

always user friendly and precise

Handwheels on the machine front

Ease-of-use in every day operation due to the dedicated gear box (**SCM solution**), fully protected from dust, that provides a smooth and direct transmission.

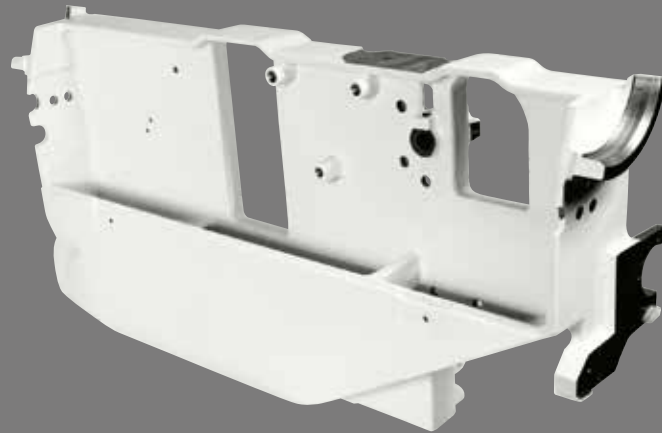
Every minimum hand-wheel movement corresponds to a precise blade adjustment.



perfect cut

Saw unit

Maximum torsional rigidity and the total absence of vibration through the closed loop structure of the saw unit which ensures **perfect alignment of the blades** during tilted and difficult cuts.



simple and effective

Scoring unit adjustment

Vertical and horizontal adjustments are carried out by user-friendly mechanical levers that operate directly making **precise and smooth movements**. The useful mechanical stops allow immediately finding of the set position. The positioning of the controls allows their use without moving from the front of the machine.





maximum cut quality guaranteed over time

Sliding carriage

The carriage will never require adjustment due to its closed reticular geometry with steel guides using an **exclusive method of mechanical fixing**.



reliability and technology without comparison
10 years of SCM guarantee for the carriage sliding system.

smooth, rapid and
precise positioning

Rip fence

Sliding of the rip fence support on round bar with micrometric adjustment.

The support can be also equipped with digital readout for fence position with detecting system on magnetic band (option). The fence can be easily excluded from the working area when it isn't used.



optimal support

Squaring frame and fence

Panel loading is easy on the large squaring frame with an idle roller at the end and the mobile cross beams offer an **optimal support** also to smaller panels. The telescopic squaring fence with the inclined metric scale and two reversible stops can be used to square panels measuring 3200x3800 mm and for tilted cuts at up to 45° on both sides of the frame.

nova si 400ep electronic controls



the practical advantage for automatic control of the main positions

Ready

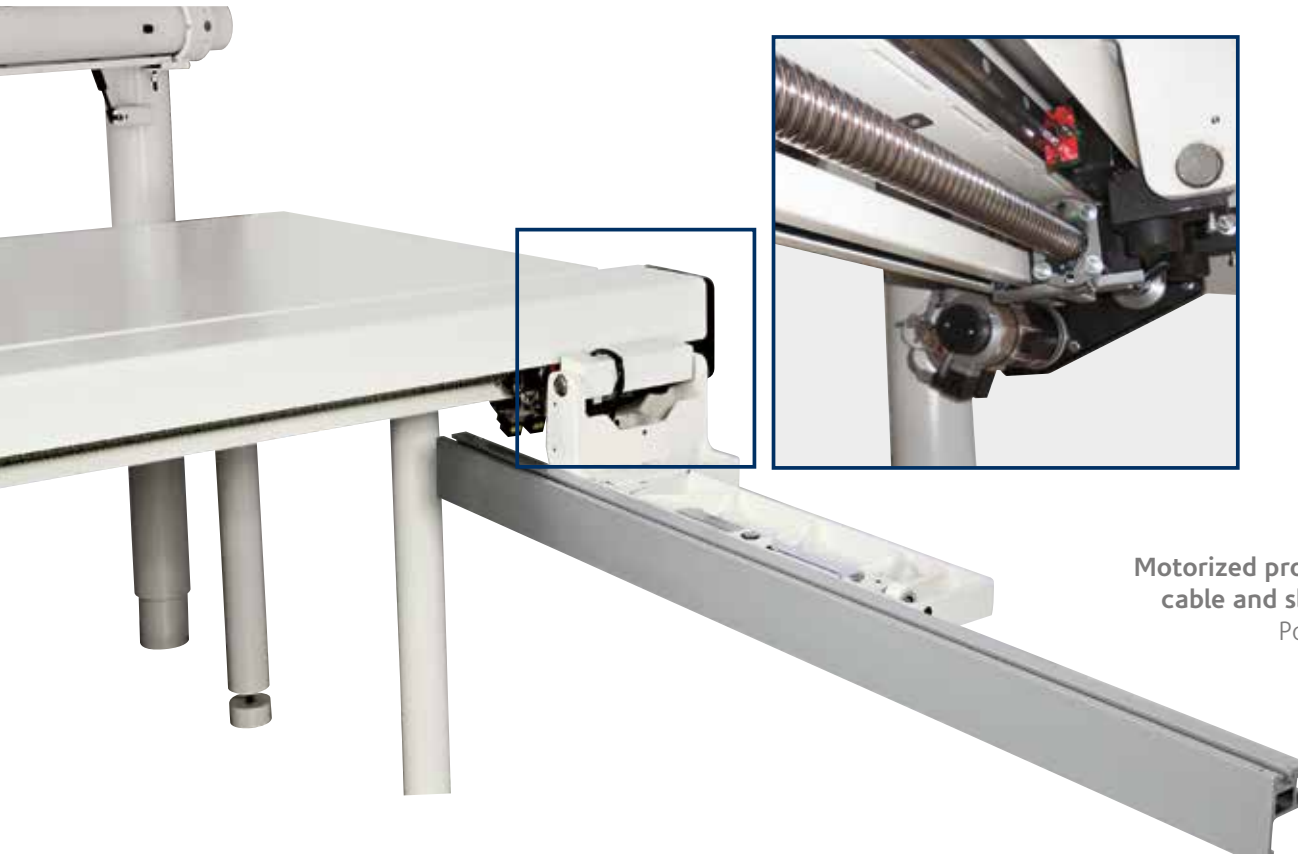
The **programming** of the work becomes **simple and effective** with the electronic control with a 4" LCD display.

- Working mode: manual, semi-automatic and automatic with a memory capacity of up to 99 programs
- Tool data setting with automatic height adjustment
- Calculator and hour counter

speed and accuracy

Motorised programmable rip fence mounted on a recirculating ball screw mechanism with sliding on linear guides.

Only for Ready 3 UP Plus version



Saw unit lifting



Saw unit tilting



Programmable rip fence (option)



Blade speed readout

practicality and safety

Motorized programmable rip fence with steel cable and sliding on sturdy round steel bar.

Position readout on magnetic band.

Only for Ready 3 version



circular saws main optional devices

Tablet holder on the sliding carriage
Compatible with tablets from 8" to 11".



Adjustable tablet holder positioned on the mobile control panel
Compatible with tablets from 7" to 13".
It is equipped with USB port for power supply positioned on the mobile control panel.

Rip fence unit

The exclusive referencing system for the first trim cut allows the setting of trim quantity to be cut for every side **without any test cuts**.



Angular cutting devices

Available for the following versions

- a) traditional
- b) with automatic self-adjustment of the stops position in respect of the blade

circular saws main optional devices



Fence for complementary cutting

Device to be applied directly on the squaring rule that allows to quickly carry out cuts with angles complementary to the rule one.

Squaring frame with "Compex" device with automatic self-adjustment of stops position in respect of the blade and rule tilting angle. Furthermore, thanks to the dedicated frame structure, it is possible to carry out **tilted cuts keeping the squaring rule comfortably within the operator's reach**, both in acute cuts and in obtuse ones, without renouncing to a valid support of the piece.



Mechanical preset for "DADO" machining

Possibility of using a tool (not included) to replace the main blade, with 203 mm maximum diameter and 20 mm maximum thickness.

Electronic readouts on the squaring stops

The stops can be easily read even from distance.





Expandable scoring blade

Manually expandable with variable thickness from 2,8 to 3,6 mm. Blade diameter: 120 mm.



"LED indicating scoring unit in operation" device

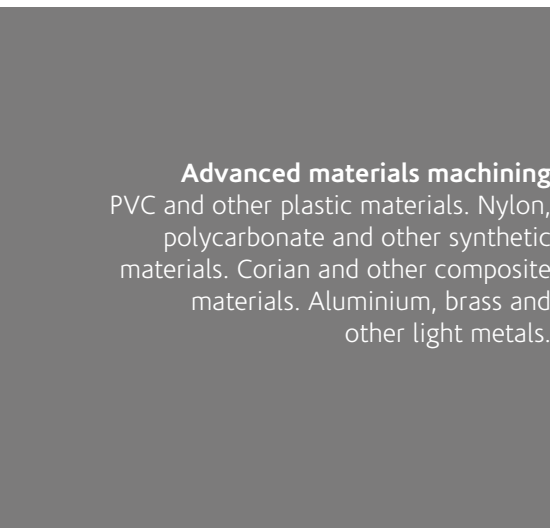
When the scoring blade is working, the high efficiency LEDs clearly indicate the danger area, making the machine safer than ever.



maximum practicality

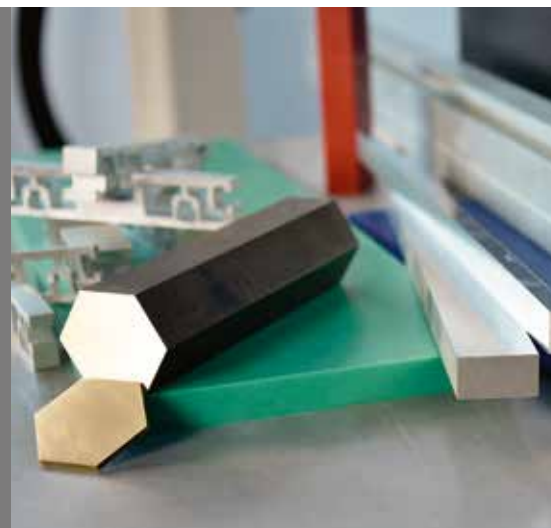
Pushbuttons integrated in the sliding carriage

The possibility to start or stop the blades motors from the pushbuttons located at the ends of the carriage **considerably helps when machining large dimensioned panels.**



Advanced materials machining

PVC and other plastic materials. Nylon, polycarbonate and other synthetic materials. Corian and other composite materials. Aluminium, brass and other light metals.

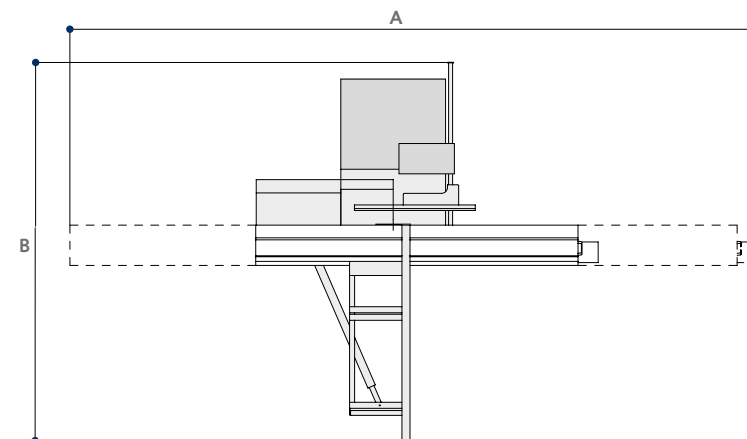


Device for the blade micro-lubrication

Compulsory for the machining of light alloys, extremely useful with particular plastic materials.

circular saws technical data

S Standard
O Option



TECHNICAL DATA		nova si 400ep	nova si 400	nova si 300	nova si 300s
Cast-iron saw table dimensions	mm	1040 x 630	1040 x 630	900 x 550	900 x 550
Blades tilting		90° ÷ 45°	90° ÷ 45°	90° ÷ 45°	90° ÷ 45°
Max. saw blade diameter with installed scoring unit	mm	400	400	315	315 ÷ 400
Max. saw blade projection from the table at 90°/45°	mm	140/70	140/97	100/97	100/70 (with 315 mm blade) 140/97 (with 400 mm blade)
Saw blade rotating speed	rpm	3000/4000/5000	3700	4000	4000 (with 315 mm blade) 3700 (with 400 mm blade)
Squaring stroke	mm	3200 ÷ 3800	3200 ÷ 3800	3200 ÷ 3800	1600
Cutting width on rip fence	mm	1000 ÷ 1500	1000 ÷ 1500	1000 ÷ 1500	1000 ÷ 1500
other technical features					
Three-phase motors 5 kW (6,6 hp) 50 Hz - 6 kW (8 hp) 60 Hz		-	-	S	S
Three-phase motors 7 kW (9,5 hp) 50 Hz - 8 kW (11 hp) 60 Hz		S	S	O	O
Three-phase motors 9 kW (12 hp) 50 Hz - 11 kW (15 hp) 60 Hz		O	O	-	-
Three-phase motors 14 kW (19 hp) 50 Hz - 14 kW (19 hp) 60 Hz		-	-	-	-
Exhaus hoods diameter:					
- at the base	mm	120	120	120	120
- on overhead protection	mm	80	80	80	80
- on riving knife	mm	-	60	60	60

OVERALL DIMENSIONS		nova si 400ep	nova si 400	nova si 300	nova si 300s
A with 1600 mm carriage	mm	-	-	-	3760
A with 3200 mm carriage	mm	7100	7100	7100	-
A with 3800 mm carriage	mm	8140	8140	8140	-
B with 1000 mm cutting width on rip fence	mm	4870	4870	4870	3115
B with 1270 mm cutting width on rip fence	mm	5155	5155	5155	3400
B with 1500 mm cutting width on rip fence	mm	5370	5370	5370	3615

MAIN OPTIONAL DEVICES	nova si 400ep	nova si 400	nova si 300	nova si 300s
"Ready 3" version	O	-	-	-
"Ready 3 UP" version	O	-	-	-
"Ready 3 UP Plus" version	O	-	-	-
"CUT 140" version	-	-	-	O
"SCM Thundercut" Optimizer/Sequencer App	S	S	S	S
Expandable scoring blade	O	O	O	O
Pushbuttons integrated in the sliding carriage	O	O	O	-
Squaring fence with LCD readouts for stops position	O	O	O	-
Fence for angular cutting on the sliding carriage	O	O	O	O
Fence for angular cutting with self-adjustment	O	O	O	O
Squaring frame with "Compex" device	O	O	O	-
Fence for complementary cutting	O	O	O	-
Fence for rip cutting on the sliding carriage	O	O	O	O
Electronic readout of parallel fence position	O	O	O	O
Adjustable tablet holder positioned on the mobile control panel	O	-	-	-
Tablet holder on the sliding carriage	O	O	O	O
"LED indicating scoring unit in operation" device	O	-	-	-
"DADO" machining	O	O	O	O
Machine configuration for advanced materials machining	O	O	O	O
Device for the blade micro-lubrication for the machining of plastic materials and light alloy	O	O	O	O
Overhead blades protection	S	S*	O	O

* Standard for CE and USA-Canada versions; Option for NO CE version



programmable circular saw nova si x



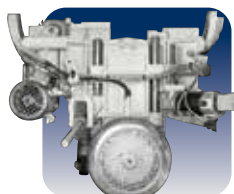
±46° double tilting blade.

		nova si x	nova si 40	nova si 30
Max. saw blade diameter with installed scoring unit	mm	400	400	315
Max. saw blade projection from the table at 90°/+45°/-45°	mm	136/97/60	136/97/-	90/70/-
Saw blade rotating speed	rpm	4000	4000	4000
Squaring stroke	mm	2600 ÷ 3200	2600 ÷ 3200	2600 ÷ 3200
Cutting width on rip fence	mm	1270	1270	1270
Three-phase motors power starting from	kW/Hz	7	5	5

Find the complete technical specification at page 26



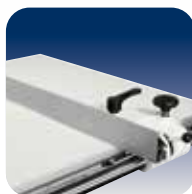
manual circular saws nova si 40 nova si 30



Saw Unit
sturdy structure



Sliding Carriage
unrivalled cutting
finishing



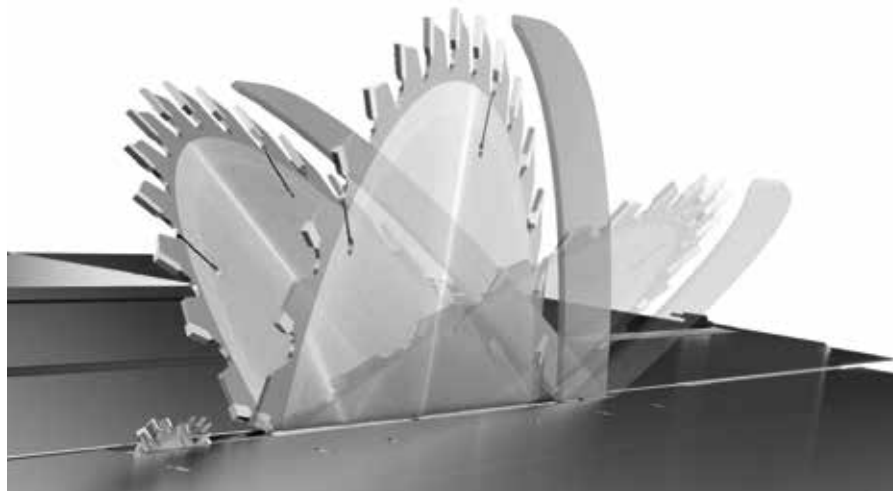
Rip Fence
rapidity and
accuracy



**SCM
Thundercut
Optimizer/
Sequencer App**

Professional circular saws for
uncompromising quality.

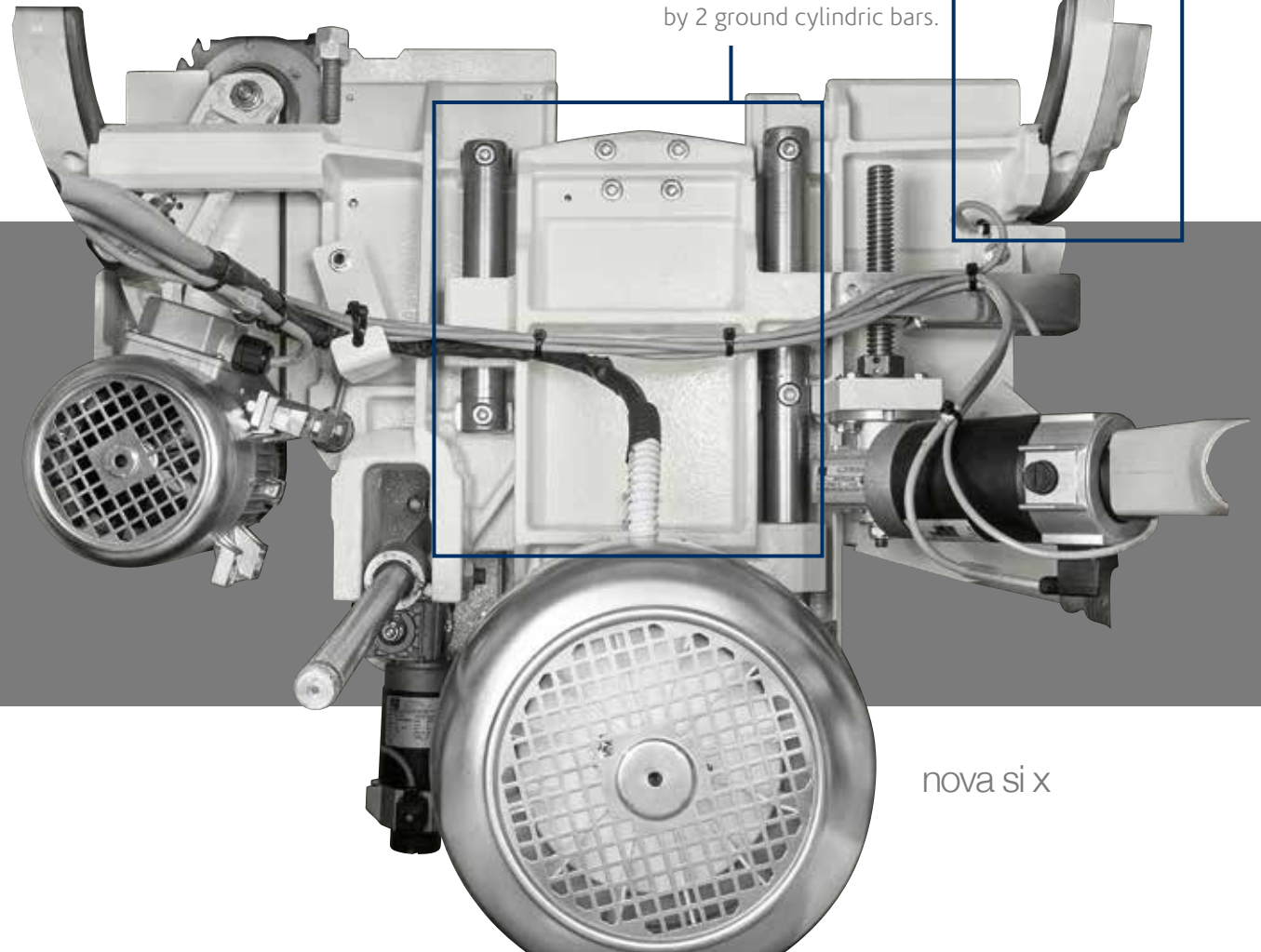
circular saws operating groups



double tilting at
everybody's reach

The $\pm 46^\circ$ tilting of the
unit is done by 2 wide
semi-circular fences.

For *nova si x* the lifting
of the blade unit is done
by 2 ground cylindric bars.



sturdy structure

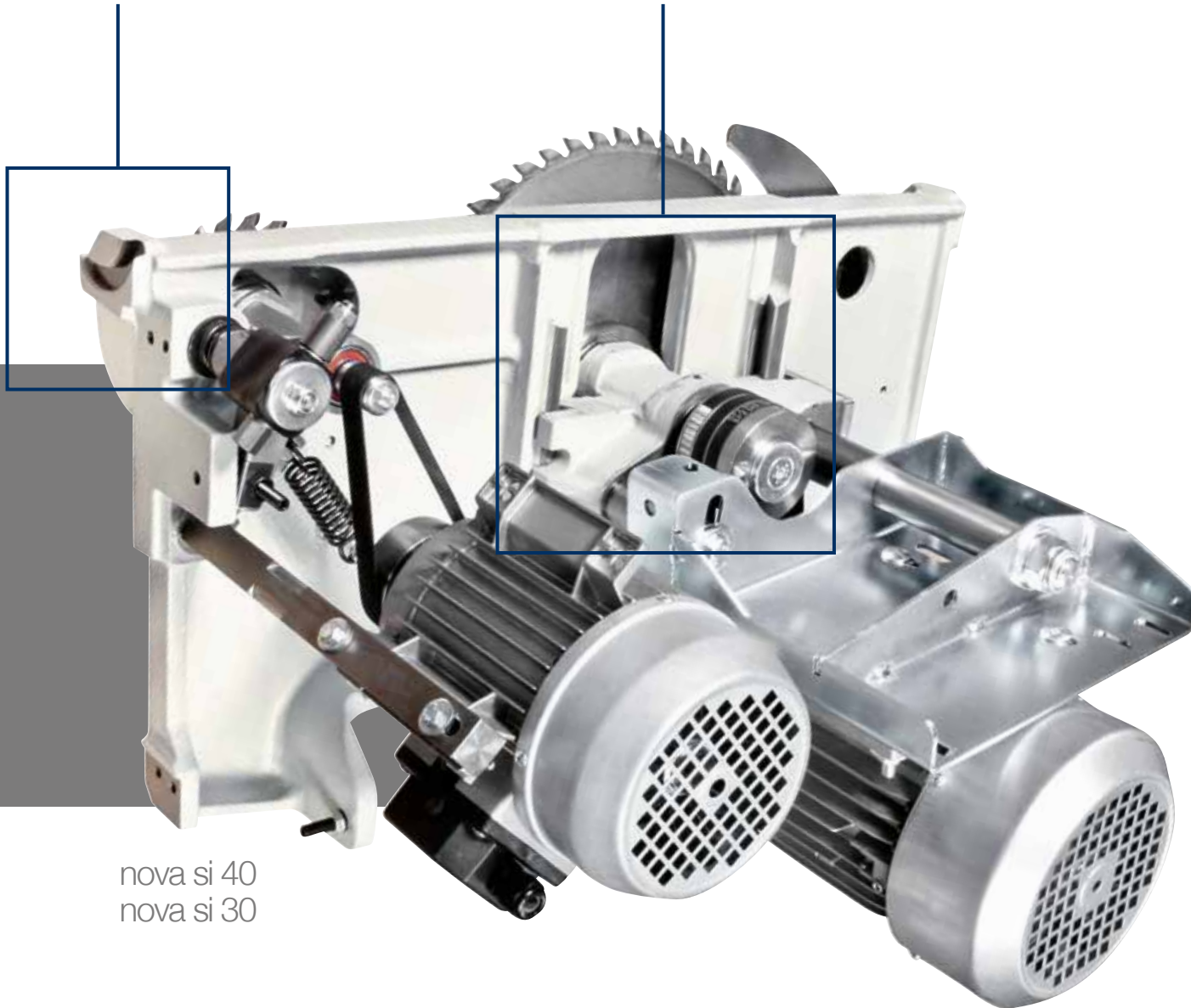
Saw Unit

Saw units with a stiff cast-iron structure which can accommodate a blade of 400 mm diameter (315 mm for *nova si 30*) **with scoring blade installed**. They ensure a perfect and easy cutting of veneer panels and solid wood material with very high thickness. The saw blade uses 100% of the motor power, thanks to the scoring blade with an independent motor as standard.

nova si x

The rotation fulcrums of the saw unit have a 120 mm diameter and stand on steady crescent shaped rests that separate it from the base: a rigid reliable solution.

For *nova si 40* and *nova si 30*, the lifting of the blade unit is done by a robust cast iron structure with dovetail system.



nova si 40
nova si 30



The scoring blade is adjustable from the outside without tools and allows fast and accurate positioning with no play.

circular saws operating groups



unrivalled cutting finishing

Sliding Carriage

Optimal support also to larger pieces, with the **new sliding table, 360 mm wide.**



Exceptional accuracy and smoothness to secure the guides it is not used glue, since the thickness could affect sliding. They are secured with a **procedure of aluminum riveting.**

reliability and technology without comparison
10 years of SCM guarantee for the carriage sliding system.



Two positions overhead blade protection, for totally safe machining.
(nova si x)



smooth, rapid and precise positioning

Rip fence

Sliding of the rip fence support on round bar with micrometric adjustment.

The support can be also equipped with digital readout for fence position with detecting system on magnetic band (option). The fence can be easily excluded from the working area when it isn't used.



immediate control

Squaring frame and fence

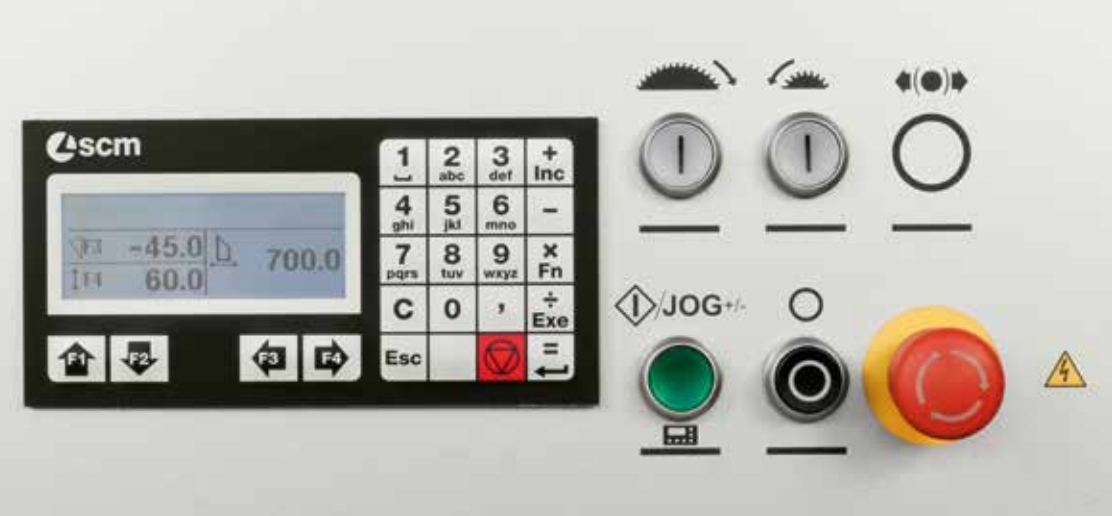
Panel loading is easy on the large squaring frame with an idle roller at the end.

The telescopic squaring fence with the inclined metric scale and two reversible stops can be used to square panels measuring 3200x3200 mm and for tilted cuts at up to 45° on both sides of the frame.

circular saws optional electronic controls

simple and quick Programmed movement

The "Ready" control manages the powered and programmed movement of the saw blade unit increasing productivity and working quality.
(standard for nova si x)



Ready 3 / Ready 3 UP
Automatic positioning of the parallel fence, from "Ready" control (3 axes). Programmed or manual fence movement with a hold-down drive for the maximum versatility.
In addition, the Ready 3 UP version has the control on the mobile control panel.

Powered handling of the operating groups with digital readouts
For the best accuracy and easy to use.

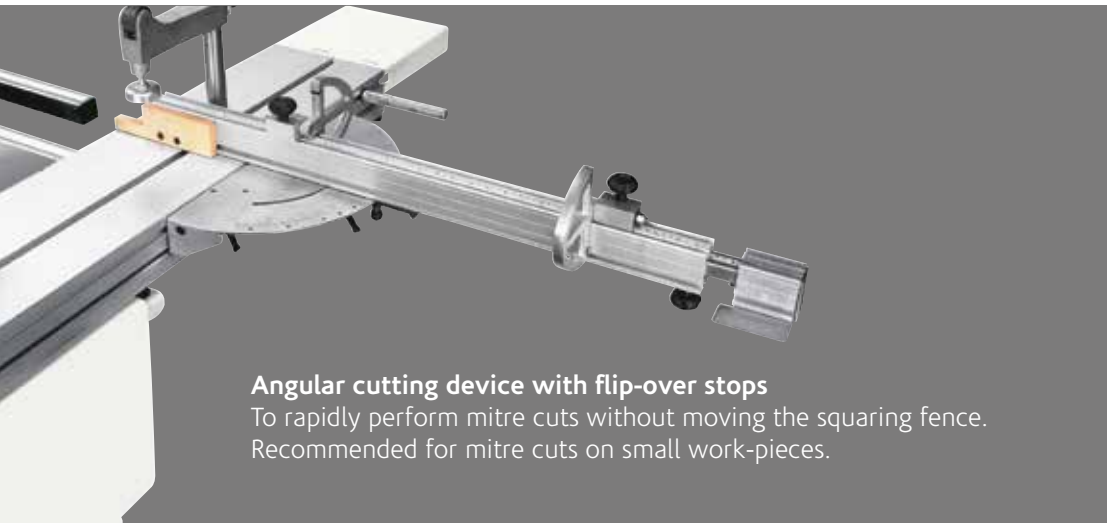


maximum practicality
Pushbuttons integrated in the sliding carriage
The possibility to start or stop the blades motors from the pushbuttons located at the ends of the carriage **considerably helps when machining large dimensioned panels.**



circular saws main optional devices

Squaring frame with "Compex" device with automatic self-adjustment of stops position in respect of the blade and rule tilting angle. Furthermore, thanks to the dedicated frame structure, it is possible to carry out **tilted cuts keeping the squaring rule comfortably within the operator's reach**, both in acute cuts and in obtuse ones, without renouncing to a valid support of the piece.



Angular cutting device with flip-over stops
To rapidly perform mitre cuts without moving the squaring fence. Recommended for mitre cuts on small work-pieces.



Electronic readouts on the squaring stops
The stops can be easily read even from distance.

Pre-set angular cutting device directly positioned on squaring frame
To find rapidly the most common angles with the squaring fence. Useful for large work-pieces.



Additional table on the sliding carriage
For the support of large dimensioned panels.



Digital readout for the fence position on the parallel fence
It allows precise positioning with the magnetic strip sensor.



Mechanical preset for "DADO" machining
Possibility of using a tool (not included) to replace the main blade.



Expandable scoring blade
Manually expandable with variable thickness:
- from 3,5 to 4,5 mm (blade diameter: 160 mm) *nova si x*
- from 2,8 to 3,6 mm (blade diameter: 120 mm) *nova si 40* and *nova si 30*



Device for the blade micro-lubrication
Compulsory for the machining of light alloys, extremely useful with particular plastic materials.



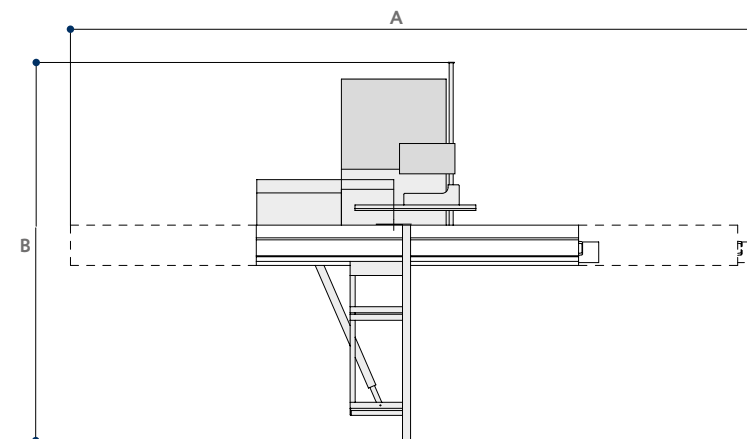
Tablet holder on the sliding carriage
Compatible with tablets from 8" to 11".



Adjustable tablet holder positioned on the mobile control panel
Compatible with tablets from 7" to 13". It is equipped with USB port for power supply positioned on the mobile control panel.

circular saws technical data

S Standard
O Option



TECHNICAL DATA		nova si x	nova si 40	nova si 30
Cast-iron saw table dimensions	mm	1000 x 685	940 x 560	940 x 560
Blades tilting		-46° ÷ +46°	90° ÷ 45°	90° ÷ 45°
Max. saw blade diameter with installed scoring unit	mm	400	400	315
Max. saw blade projection from the table at 90°/+45°/-45°	mm	136/97/60	136/97/-	90/70/-
Saw blade rotating speed	rpm	4000	4000	4000
Squaring stroke	mm	2600 ÷ 3200	2600 ÷ 3200	2600 ÷ 3200
Cutting width on rip fence	mm	1270	1270	1270
other technical features				
Three-phase motors 5 kW (6,6 hp) 50 Hz - 6 kW (8 hp) 60 Hz		-	S	S
Three-phase motors 7 kW (9,5 hp) 50 Hz - 8 kW (11 hp) 60 Hz		S	O	O
Exhaus hoods diameter:				
- at the base	mm	120	120	120
- on overhead protection	mm	80	80	80
- on riving knife	mm	-	60	60

OVERALL DIMENSIONS

		nova si x	nova si 40	nova si 30
A with 2600 mm carriage	mm	5860	5860	5860
A with 3200 mm carriage	mm	7060	7060	7060
B with manual rip fence	mm	3650	3650	3650
B with automatic rip fence	mm	4820	4820	4820

MAIN OPTIONAL DEVICES

	nova si x	nova si 40	nova si 30
"Ready 3" version / Programmed parallel fence	O	O	-
"Ready 3 UP" version	O	O	-
"SCM Thundercut" Optimizer/Sequencer App	S	S	S
Powered handling of the operating groups with digital readouts	-	O	O
Pushbuttons integrated in the sliding carriage	O	O	O
N.2 sawblades speeds (3500/5000 rpm)	O	O	-
Electronic readouts on the squaring stops	O	O	O
Angular cutting device with flip-over stops	O	O	O
Pre-set angular cutting device directly positioned on squaring frame	O	O	O
Squaring frame with "Compex" device	O	O	O
Additional table on the sliding carriage	O	O	O
Digital readout for the fence position on the parallel fence	O	O	O
Adjustable tablet holder positioned on the mobile control panel	O	O	-
Tablet holder on the sliding carriage	O	O	O
Device for the blade micro-lubrication for the machining of plastic materials and light alloy	-	O	-
"DADO" machining	O	O	O**
Overhead blades protection	S	O*	O

* Standard for CE and USA-Canada versions; Option for NO CE version

** Not available for CE version

surface planers

nova f 520
nova f 410

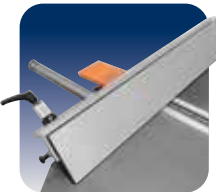


		nova f 520	nova f 410	nova s 630	nova s 520
Working width	mm	520	410	630	520
Cutterblock diameter/standard knives	mm/n.	120/4	120/4	120/4	120/4
Total worktable length	mm	2750	2610	-	-
Max. stock removal	mm	8	8	8	8
Min. ÷ max. working height on thicknesser		-	-	3,5 ÷ 300	3,5 ÷ 300
Three-phase motors power starting from	kW/Hz	5 (6) / 50 (60)	5 (6) / 50 (60)	7 (8) / 50 (60)	7 (8) / 50 (60)

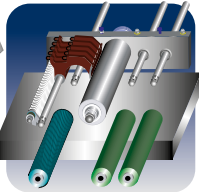
Find the complete technical specification at page 36

thicknessing planers

nova s 630
nova s 520



Surface Fence
high rigidity



Interchangeable Rollers
for every requirement



SCM Cutterblock
simple and rapid

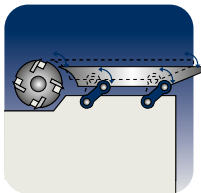
Perfect surfaces, practical and safe, ergonomics.

surfacing-thicknessing
planers
nova fs 520
nova fs 410



		nova fs 520	nova fs 410
Working width	mm	520	410
Cutterblock diameter/standard knives	mm/n.	120/4	95/4
Total worktable length	mm	2250	2200
Min. ÷ max. working height on thicknesser	mm	3,5 ÷ 240	3,5 ÷ 240
Three-phase motors power starting from	kW/Hz	7 (8) / 50 (60)	5 (6) / 50 (60)

Find the complete technical specification at page 36



Feeding on Connecting Rods
constant precision



Thickening Table
rigidity and accuracy



Surface Fence
high rigidity

Easy and rapid to use with great performance in a limited space.

planers operating groups

high rigidity Surface fence

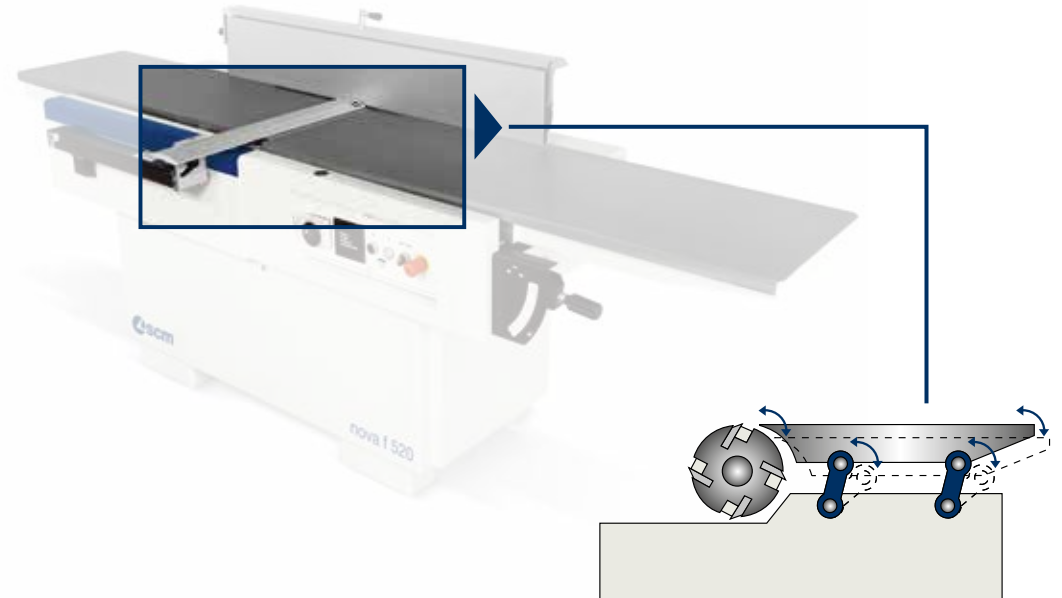
High rigid fence with a smooth movement thanks to the **central locking on round bar**. The graduated scale facilitates the operator in positioning the guide to the required tilting.



a guarantee of
perfect planarity

Simultaneous raising of the worktables

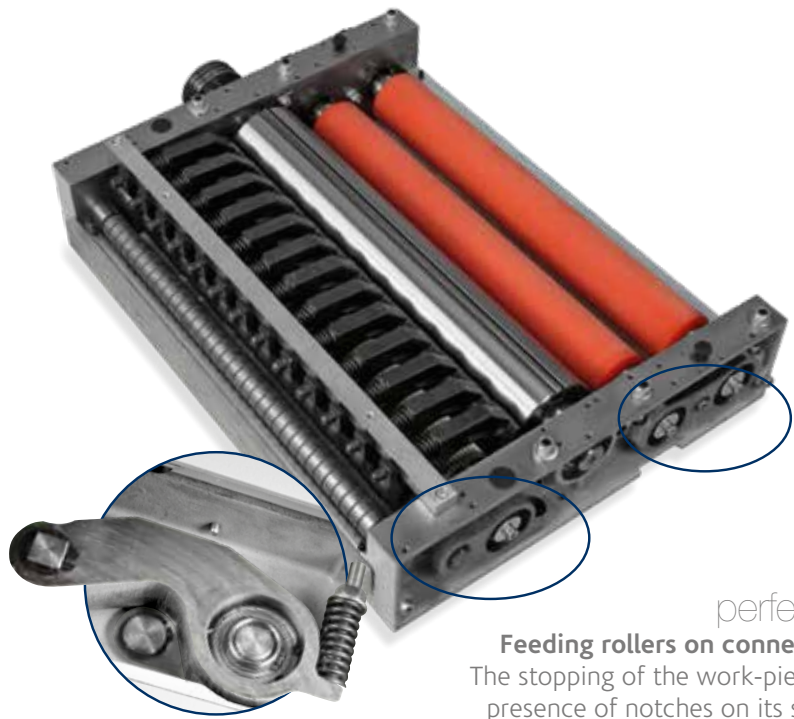
The system allows the **changeover from planer to thicknesser** with a single movement ensuring working rapidity and accuracy.



constant precision over time

Feeding on connecting rods

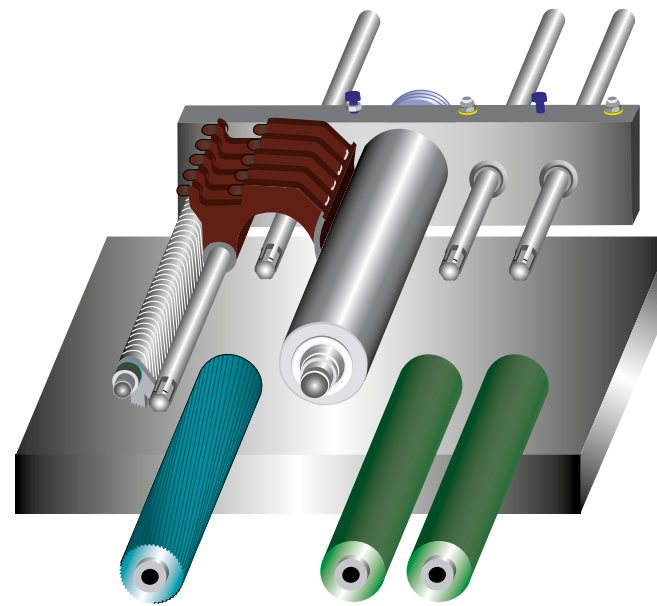
Very accurate machining with the movement of the infeed table by means of a parallelogram **kinetic mechanism which always gives the same distance between the cutterblock and the table**. The system operating directly on the connecting rods avoids any exertion to the table assuring constant planarity over time.



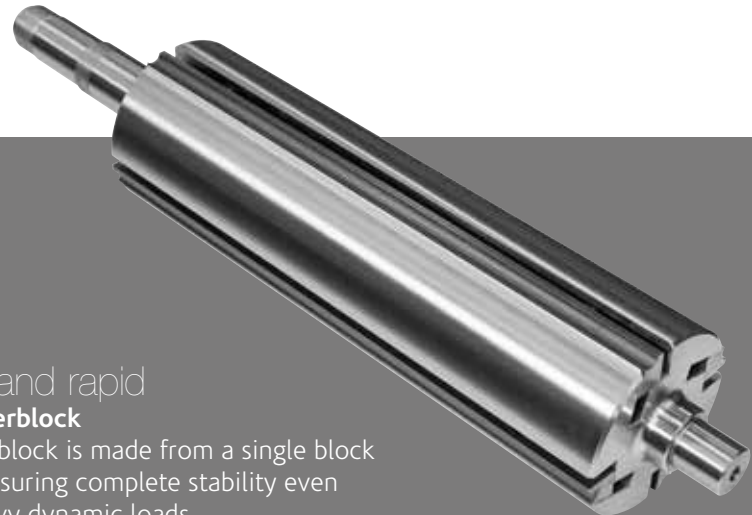
perfect finish

Feeding rollers on connecting rods

The stopping of the work-piece and the presence of notches on its surface are eliminated due to the movement system on all three rollers, that allows their vertical displacement by rotation and **the best linear feeding**. Perfect surfaces and high feeding performance with the standard rubber rollers.



solutions for every requirement
Interchangeable rollers
Perfect finish obtained by quick and easy changeover of the rollers that allows the operator to configure the machine drive function in case of special requirements, such as a minimum removal of fine wood and/or batches where multiple pieces of different thicknesses are processed.
(third powered roller available as option)



simple and rapid
SCM cutterblock

The cutterblock is made from a single block of steel ensuring complete stability even under heavy dynamic loads.

Powered worktable lifting with micrometric adjustment.

The 4 screws with a large diameter combined with the 2 side linear guides ensure worktable stability. The integrated protections guarantee high precision and reliability over time.



planers main optional devices



"Tersa" monoblock cutterblock

The cutterblock is made from a single block of steel ensuring complete stability even under heavy dynamic loads. Automatic knives clamping by means of the centrifugal force ensures safe and precise machining. The system, without fixing screws, makes knives substitution extremely fast.



"Xylent" spiralknife cutterblock

The 3 spiralknives give an exceptional finish.

Reduced noise during machining provides a more comfortable working environment.

It also improves the dust extraction due to the **production of very small chips**.

Each cutter has 4 tips which can be rotated into the cutting position when worn.

Therefore, increasing the production life of the cutter block **before knives** require replacement.



Maintenance case for "Xylent" spiralknife cutterblock

It includes:

- 1 cleaning/degreasing liquid bottle for the resins cleaning
- 1 set dynamometric key
- 2 bit Torx
- 10 inserts
- 5 screws
- 1 brass bristle brush to clean the spindle with mounted in inserts
- 1 steel bristle brush to clean the inserts housings



**Thickening table extension
to be used in infeed
or outfeed**

It can be installed on the
worktable end side.



Additional overturning fence

Integrated in the surface fence,
it ensures perfect operator safety
when machining small dimensioned
work-pieces.



Cast-iron mortiser

Drilling holes and mortises are easily
carried out. It includes the exhaust hood,
120 mm diameter and 16 mm chuck.

Sectioned steel roller
It allows the simultaneous processing of
different thicknesses giving great results
even with minimum removal.



Thickening table with idle rollers

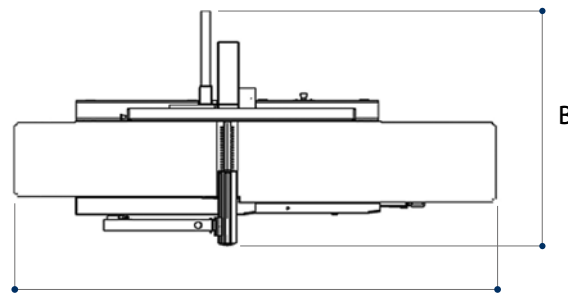
It enables the feeding of moist and/or
resinous wood. Particularly suitable for
heavy duty woodworking operations
and with rough work-pieces.

**Outfeed rollers in
sandblasted steel**

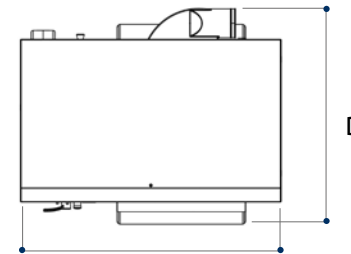
For a perfect
post-processing finish.



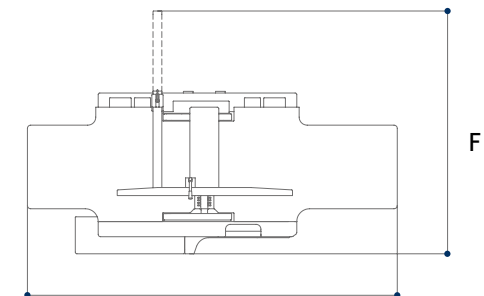
planers technical data



A



C



E

- S Standard
- O Option

TECHNICAL DATA		nova f 520	nova f 410	nova s 630	nova s 520	nova fs 520	nova fs 410
Working width	mm	520	410	630	520	520	410
Cutterblock diameter/standard knives	mm/n.	120/4	120/4	120/4	120/4	120/4	95/4
Standard knives dimensions	mm	35 x 3 x 520	35 x 3 x 410	35 x 3 x 640	35 x 3 x 520	30 x 3 x 520	30 x 3 x 410
Max. stock removal	mm	8	8	8	8	5	5
Total worktable length	mm	2750	2610	-	-	2250	2200
Thickening table dimensions	mm	-	-	640 x 1000	530 x 900	520 x 850	410 x 775
Feed speed on thickener	m/min	-	-	5/8/12/18	5/8/12/18	5/8/12/18	6/12
Min. ÷ max. working height on thickener	mm	-	-	3,5 ÷ 300	3,5 ÷ 300	3,5 ÷ 240	3,5 ÷ 240
other technical features							
Three-phase motors 5 kW (6,6 hp) 50 Hz - 6 kW (8 hp) 60 Hz		S	S	-	S	-	S
Three-phase motors 7 kW (9,5 hp) 50 Hz - 8 kW (11 hp) 60 Hz		O	O	S	O	S	O
Three-phase motor 9 kW (12 hp) 50 Hz - 11 kW (15 hp) 60 Hz		-	-	O	-	O	-
Exhaust hood diameter	mm	120	120	150	150	120	120

OVERALL DIMENSIONS		nova f 520	nova f 410	nova s 630	nova s 520	nova fs 520	nova fs 410
A	mm	2750	2610	-	-	-	-
B	mm	1415	1150	-	-	-	-
C	mm	-	-	1275	1140	-	-
D	mm	-	-	1080	1003	-	-
E	mm	-	-	-	-	2250	2200
F	mm	-	-	-	-	1510	1200

MAIN OPTIONAL DEVICES		nova f 520	nova f 410	nova s 630	nova s 520	nova fs 520	nova fs 410
"Tersa" monoblock cutterblock		0	0	0	0	0	0
"Xylent" spiralknife cutterblock with 3 spiralknives		0	0	0	0	0	0
Maintenance case for "Xylent" spiralknife cutterblock		0	0	0	0	0	0
Additional overturning fence for the processing of thin work-pieces		0	0	-	-	0	0
Worktable with 2 idle rollers		-	-	0	0	0	-
First front sectioned steel roller in place of the grooved one		-	-	0	0	-	-
Outfeed steel rollers in place of the rubber-coated ones		-	-	0	0	-	-
Powered thicknessing table lifting with micrometric movement		-	-	S	S	0	0
Cast-iron mortiser		-	-	-	-	0	0
Thicknessing table extension to be used in infeed or outfeed		-	-	0	0	0	-

spindle moulders

nova tf 110

nova ti 105

nova tf 100



		nova tf 110	nova ti 105	nova tf 100
Spindle height CE Ø 30-35 (40-50)	mm	140 (180)	125 (125)	125 (125)
Max. diameter of the profiling tool	mm	250	240	240
Max. tool diameter retractable under worktable at 90°	mm	320	240	240
Max. diameter of tenoning tool CE Ø 30-35 (40-50)	mm	300 (350)	275 (320)	240 (240)
Three-phase motors power starting from	kW/Hz	5 (6) / 50 (60)	5 (6) / 50 (60)	5 (6) / 50 (60)

Find the complete technical specification at page 44



Spindle Moulder Unit
sturdiness and
versatility



Spindle Moulder Fence
set-up rapidity



Machine Versions
specialisation and
professionalism

Precision and reliability in unbeatable time.

spindle moulders operating groups

sturdiness and versatility

Spindle moulder unit

Maximum stability and rigidity in all working conditions, thanks to a **large spindle moulder column made entirely of cast iron.**

The spindle is surrounded by a cast iron "cup" to protect the internal mechanical components from shavings and sawdust.

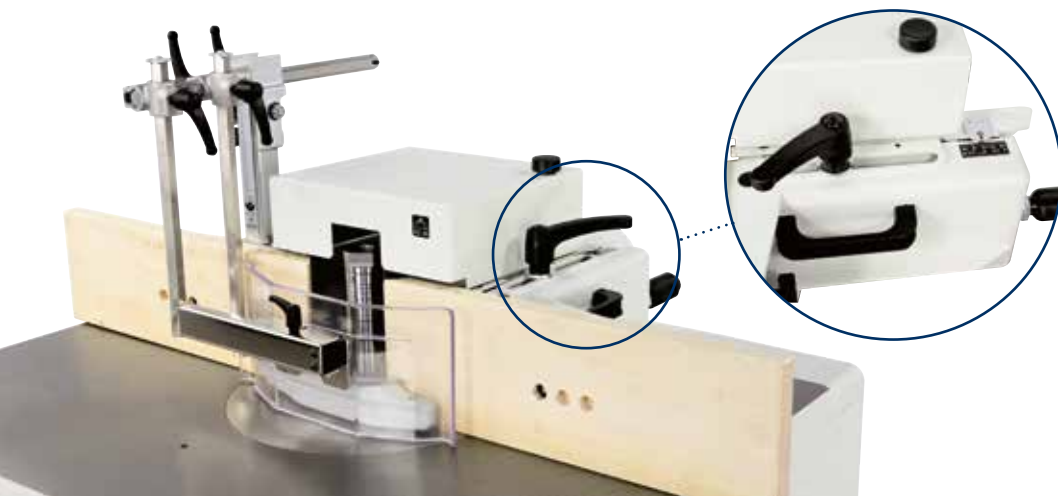
The 5 standard speed (4 speed for *nova ti 105* and *nova tf 100*) are ideal for any type of machining, from profiling to moulding and tenoning, with the possibility to fit large diameter tools.



easy to use

Adjustable spindle moulder fence

A handle provides the setting-up of the infeed table, which effects the removal and it is verified by an index on a metric scale.



nova ti 105

optional
electronic
controls



Powered operating unit movement
with digital readouts
Maximum precision and ease-of-use.

"Flex One" spindle moulder fence
Automatic adjustment of the entire
fence according to the tool diameter.
The "Flex" exclusion system
(SCM solution) is user-friendly
with precise re-positioning.



Ready 3 UP

The programming of the work becomes simple and effective with the electronic **mobile control panel** with a 4" LCD colour screen. Working mode: manual, semi-automatic and automatic with a memory capacity of up to 99 programs.



Tool-hoder
shaft lifting



Tool-hoder
shaft tilting



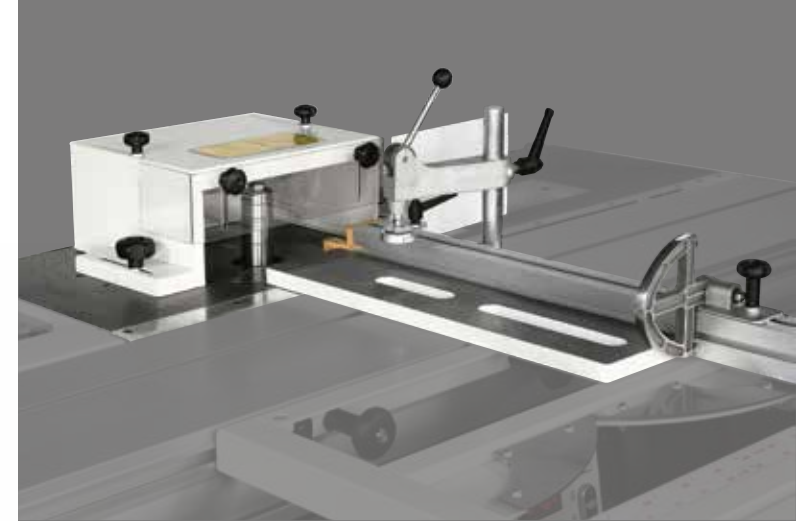
Adjustment of the
entire profiling
fence



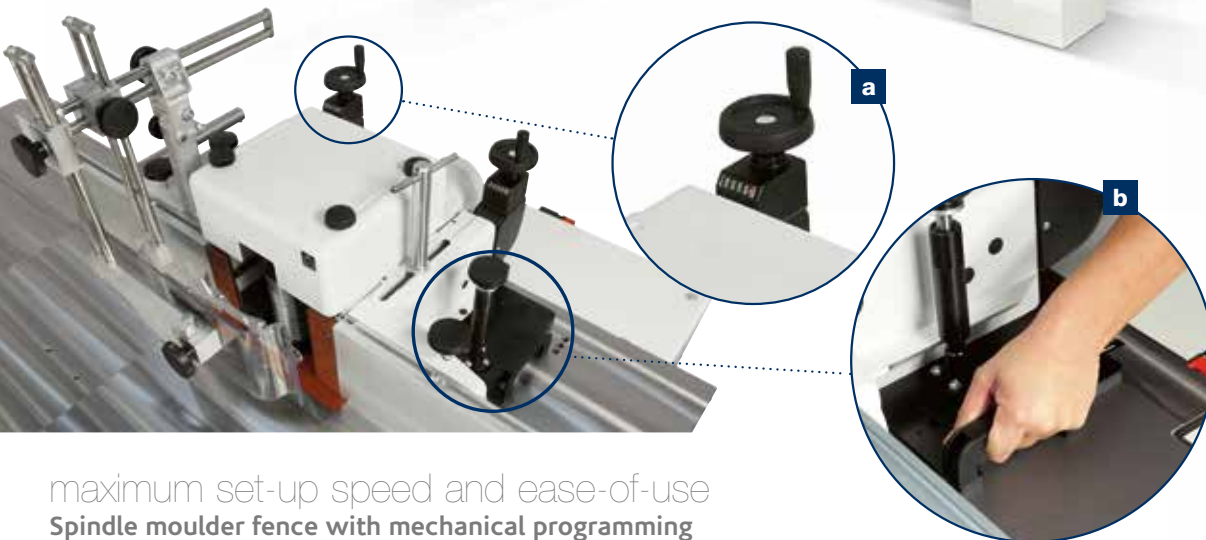
Tool-hoder shaft
speed readout

spindle moulders machine versions

For the profiling of very large work-pieces, the *nova ti 105* can be equipped with a **support frame complete with two reversible stops**.



The *nova ti 105* "version with front sliding carriage" can be equipped with **tenoning table and tenoning hood** in order to house tools, 320 mm max. diameter (300 mm USA/ Canada).



maximum set-up speed and ease-of-use

Spindle moulder fence with mechanical programming

No more test runs due to digital readouts **(a)** that ensure accuracy to a tenth of a millimetre in positioning the two worktables. The side handles **(b)** make it easy to remove and reposition the fence from the worktable.



Carriage on worktable for small tenoning operations

Ideal for tenoning of small work-pieces for the versions without sliding carriage. Mitre cuts with angles of $\pm 60^\circ$ on the worktable are possible. Easy fitting and removal due to the fixing system on the worktable.



"TL" versions

Top machining precision and stability due to the manual feed carriage with castiron structure mounted on axial bearings running on slideways made from hardened and ground bar.



For a total safety and a higher flexibility, the machine is supplied, as standard feature, with a **special protection hood for moulding operations.**

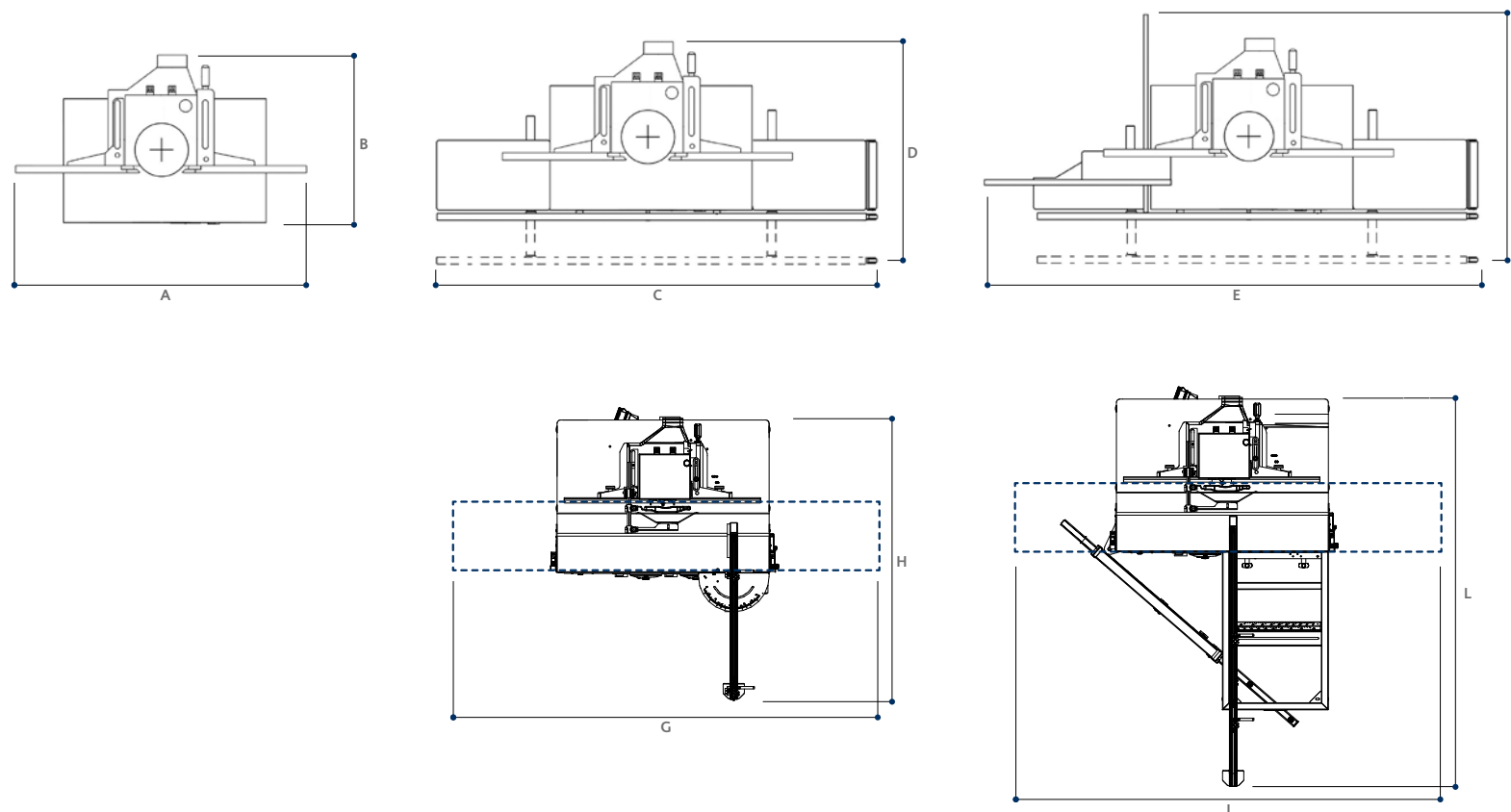


"LL" versions with worktable side extensions

Ideal when machining very long work-pieces due to worktable extensions. The mobile front bar makes it easy to move large dimensioned work-pieces on the worktable, particularly for edge profiling.



spindle moulders technical data



S Standard
O Option

TECHNICAL DATA		nova tf 110	nova ti 105	nova tf 100
Worktable dimensions	mm	1200 x 730	1200 x 855	1080 x 655
Spindle tilting		-	0° ÷ +45°	-
Spindle height CE Ø 30-35 (40-50)	mm	140 (180)	125 (125)	125 (125)
Spindle speed (at 50 Hz)	rpm	3000/4500/6000/7000/10.000	3500/6000/8000/10.000	3500/6000/8000/10.000
Max. diameter of the profiling tool	mm	250	240	240
Max. tool diameter retractable under worktable at 90°	mm	320	240	240
Max. diameter of tenoning tool CE Ø 30-35 (40-50)	mm	300 (350)	275 (320)	240 (240)
other technical features				
Three-phase motors 5 kW (6,6 hp) 50 Hz - 6 kW (8 hp) 60 Hz		S	S	S
Three-phase motors 7 kW (9,5 hp) 50 Hz - 8 kW (11 hp) 60 Hz		O	O	O
Exhaust hood diameter:				
- at the base	mm	120	120	120
- on the spindle moulder fence	mm	120	120	120

OVERALL DIMENSIONS		nova tf 110	nova ti 105	nova tf 100
A	mm	1200	1200	1111
B	mm	730	855	655
C	mm	2600	2600	2600
D min.	mm	800	920	720
D max.	mm	1250	1220	1020
E	mm	3150	-	-
F min.	mm	800	-	-
F max.	mm	1250	-	-
G	mm	-	2800 ÷ 3850	-
H	mm	-	2354	-
I	mm	-	2800 ÷ 3850	-
L	mm	-	3200	-

MAIN OPTIONAL DEVICES	nova tf 110	nova ti 105	nova tf 100
"Ready 3 UP" version with "Flex One" spindle moulder fence	-	0	-
Support frame with tiltable telescopic fence complete with 2 reversible stops	-	0	-
Powered operating unit movement with digital readouts	-	0	-
Spindle moulder fence with mechanical programming	0	0	0
Aluminium tabled instead of the wooden ones for profiling fence	0	0	0
Interchangeable spindle	0	0	0
Spindle for router bits	0	0	0
"LL" version with 2 cast-iron profiling extensions	0	0	0
"TL" version for tenoning and profiling	0	-	-
Tenoning table and tenoning hood	-	0	-
Carriage on the fixed table for small tenoning operations	0	0	0

PROMPT AND EXPERT TECHNICAL SUPPORT THROUGH A NETWORK OF 1000 TECHNICIANS AND AN INVENTORY OF 36,000 SPARE PARTS.

HIGHLY SPECIALISED TECHNICIANS, EFFICIENT
MANAGEMENT AND 6 SPARE PARTS BRANCHES
AROUND THE WORLD GUARANTEE A CLOSE,
SAFE AND EFFECTIVE TECHNICAL SUPPORT.

SERVICE

SCM provides a service that goes beyond the purchase, to guarantee the long term performance of your technological production system and peace of mind for your business.

A COMPLETE RANGE OF AFTER-SALES SERVICES

- installation and start-up of machines, cells, lines and systems
- tailored training programs
- telephone support to reduce times and costs when machines are not working
- preventive maintenance programs to guarantee long term performance
- complete renovation of machines and plants to renew the added value of the investments
- custom upgrading to update machines and plants and meet new production requirements



SPARE PARTS

SCM Group can count on 140 spare parts professionals worldwide to meet any request with real time shipments.



36,000 SPARE PARTS

Our spare parts inventory, with a value of 12 million euros, covers every single machine



SPARE PARTS GUARANTEED

We guarantee also hard to find parts, with 3,5 million euros invested in "critical" spare parts.



IMMEDIATE AVAILABILITY

Over 90% of orders received are carried out the same day thanks to the huge inventory available.



6 BRANCHES AROUND THE WORLD

The spare parts service can count on worldwide support (Rimini, Singapore, Shenzhen, Moscow, Atlanta, São Bento do Sul)



500 SHIPMENTS A DAY



THE STRONGEST WOOD TECHNOLOGIES ARE IN OUR DNA

SCM. A HERITAGE OF SKILLS IN A UNIQUE BRAND

Over 65 years of success gives SCM the centre stage in woodworking technology. This heritage results from bringing together the best know-how in machining and systems for wood-based manufacturing. SCM is present all over the world, brought to you by the widest distribution network in the industry.

65+ years history

3 main production sites in Italy

300.000 square metres of production space

20.000 machines manufactured per year

90% export

20 foreign branches

400 agents and dealers

500 support technicians

500 registered patents



In SCM's DNA also strength and solidity of a great Group. The SCM Group is a world leader, manufacturing industrial equipment and components for machining the widest range of materials.

SCM GROUP, A HIGHLY SKILLED TEAM EXPERT IN INDUSTRIAL MACHINES AND COMPONENTS

INDUSTRIAL MACHINERY

Stand-alone machines, integrated systems and services dedicated to processing a wide range of materials.



WOODWORKING TECHNOLOGIES



TECHNOLOGIES FOR PROCESSING COMPOSITE MATERIALS, ALUMINIUM, PLASTIC, GLASS, STONE, METAL

INDUSTRIAL COMPONENTS

Technological components for the Group's machines and systems, for those of third-parties and the machinery industry.



SPINDLES AND TECHNOLOGICAL COMPONENTS



ELECTRIC PANELS



METALWORK



CAST IRON



SCM GROUP SPA

via Casale 450 - 47826 Villa Verucchio, Rimini - Italy
tel. +39 0541 674111 - fax +39 0541 674274
scm@scmgroup.com
www.scmwood.com



00L0592603G